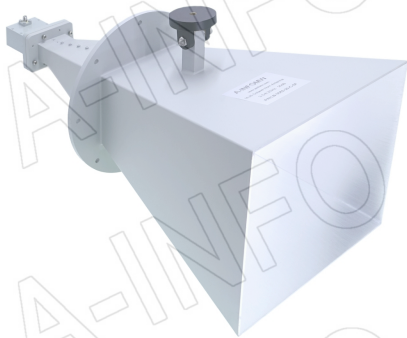


For reference only. See data sheet for the detailed specifications.

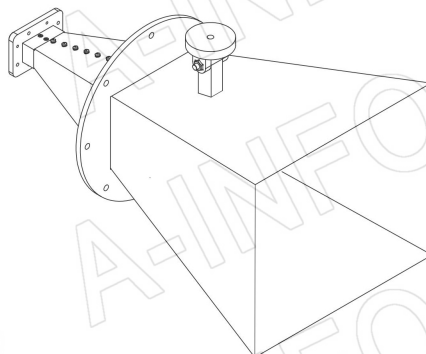
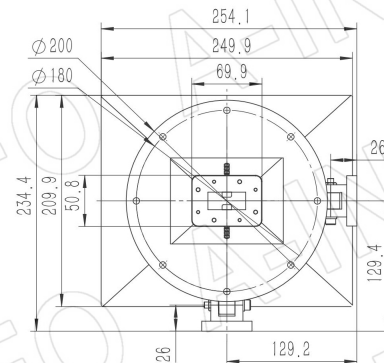
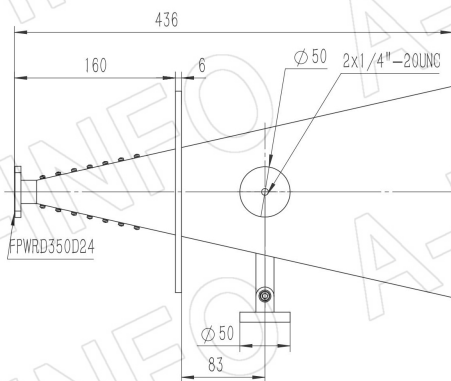
Technical Specification



| | |
|--------------------------|--|
| Frequency Range(GHz) | 3.5 – 8.2 |
| Gain(dB) | 20 Typ. |
| Polarization | Linear |
| 3dB Beamwidth(deg) | E Plane: 24 - 8 |
| | H Plane: 27 - 10 |
| Cross Pol. Isolation(dB) | 45 Typ. |
| VSWR | 1.50:1 Typ. |
| Output | A Type: FPWRD350D24 |
| | C Type: SMA-Female N-Female |
| Power Handling(W CW) | SMA-Female: 50 Max. |
| | N-Female: 150 Max. |
| Material | Al |
| Finish | Chemical Conversion Coating, Gary Paint |
| Size(mm) | A Type: 254.1 x 234.4 x 436 |
| | C Type: 254.1 x 234.4 x 493.7 |
| Net Weight(Kg) | A Type: 2.20 Around |
| | C Type: 2.40 Around |

Outline Drawing (Size: mm)

FPWRD350D24 Output (P/N: LB-3582-20-A)



AINFO Inc.

China(Beijing): Tel: (+86) 10-6266-7326,
China(Chengdu): Tel: (+86) 28-8519-2786,
USA: Tel: (+1) 949-639-9688,

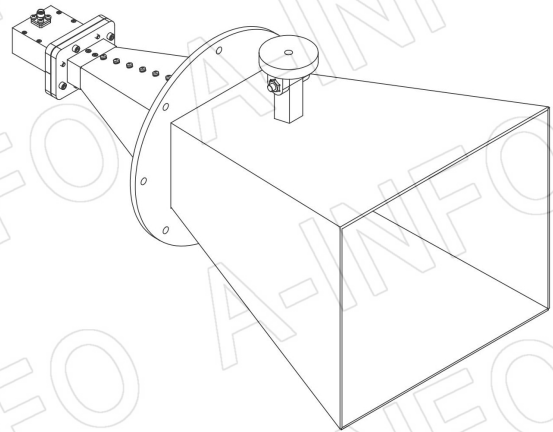
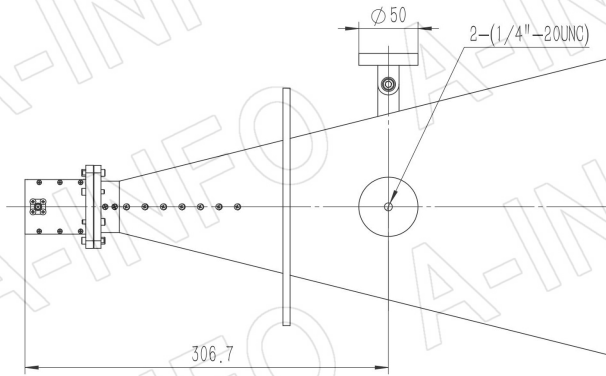
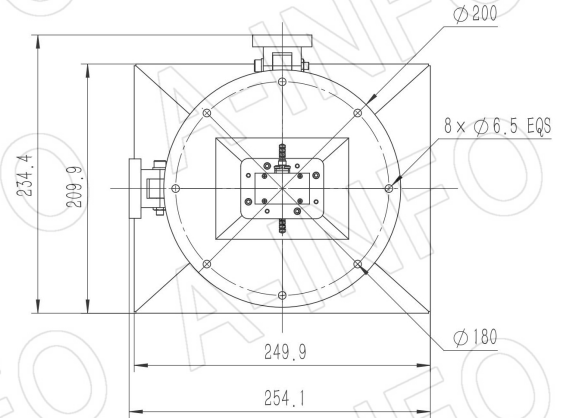
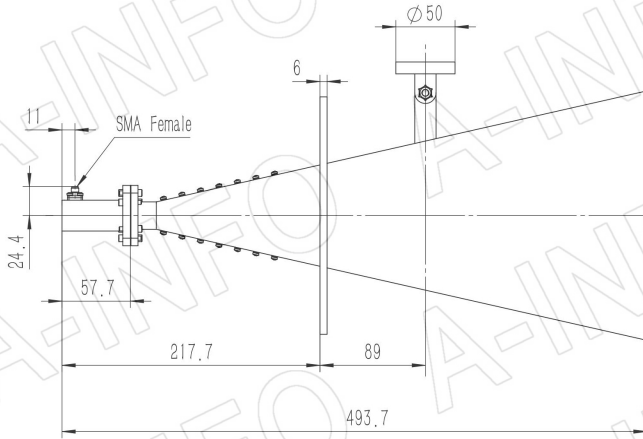
Page 1 of 7

(+86) 10-6266-7327 Fax: (+86) 10-6266-7379
(+86) 28-8519-3044 Fax: (+86) 28-8519-3068
(+1) 949-639-9608 Fax: (+1) 949-639-9670

Website: www.ainfoinc.com
Email: sales@ainfoinc.com

SMA-Female Output (P/N: LB-3582-20-C-SF)

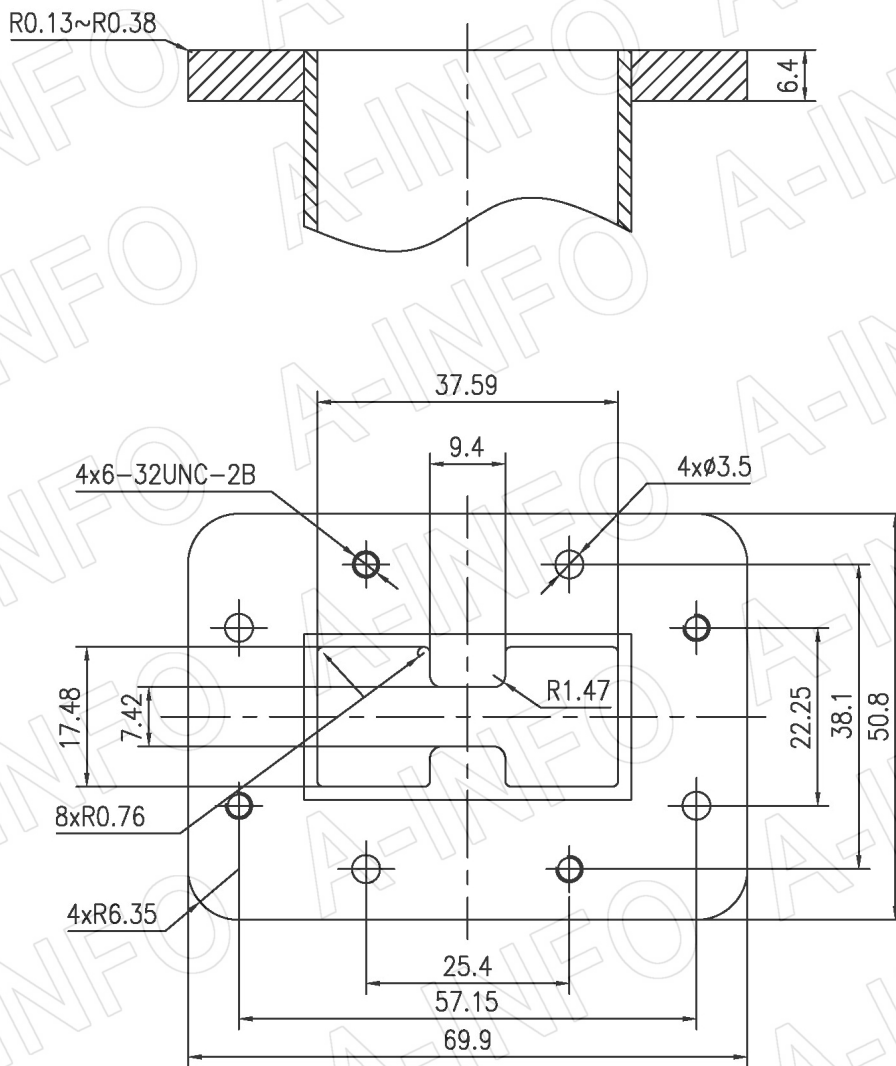
For N-Female output outline drawing, please contact A-INFO.



Flange Drawing (Size: mm)

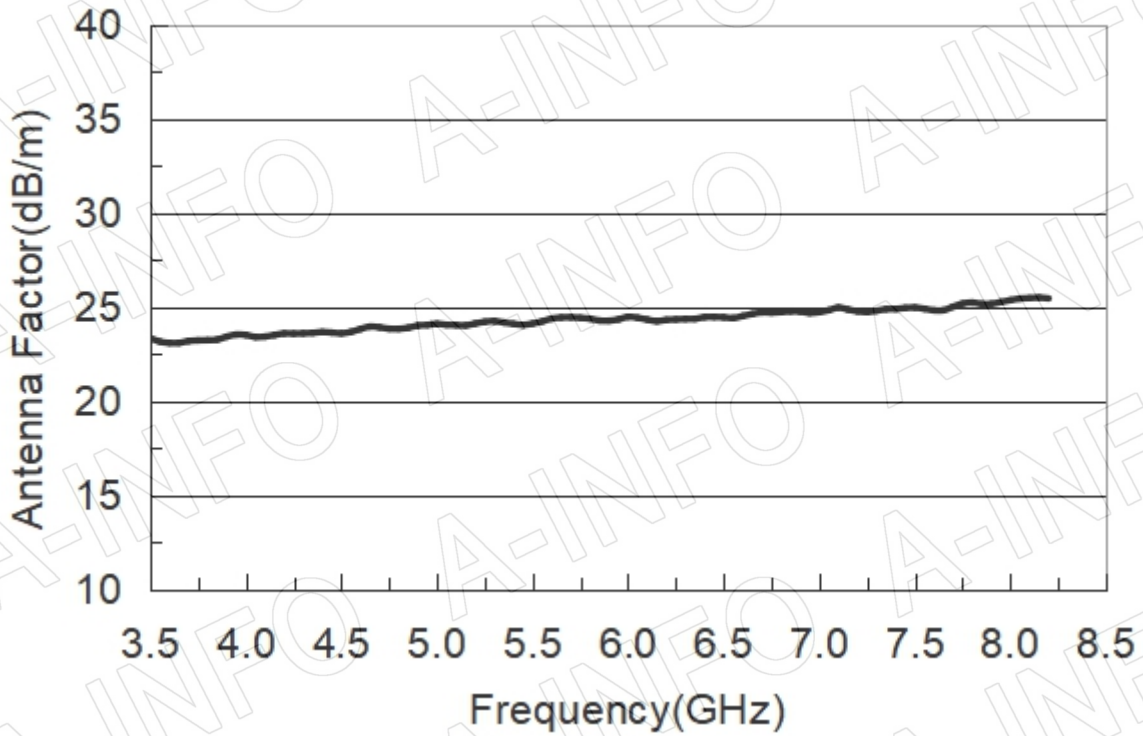
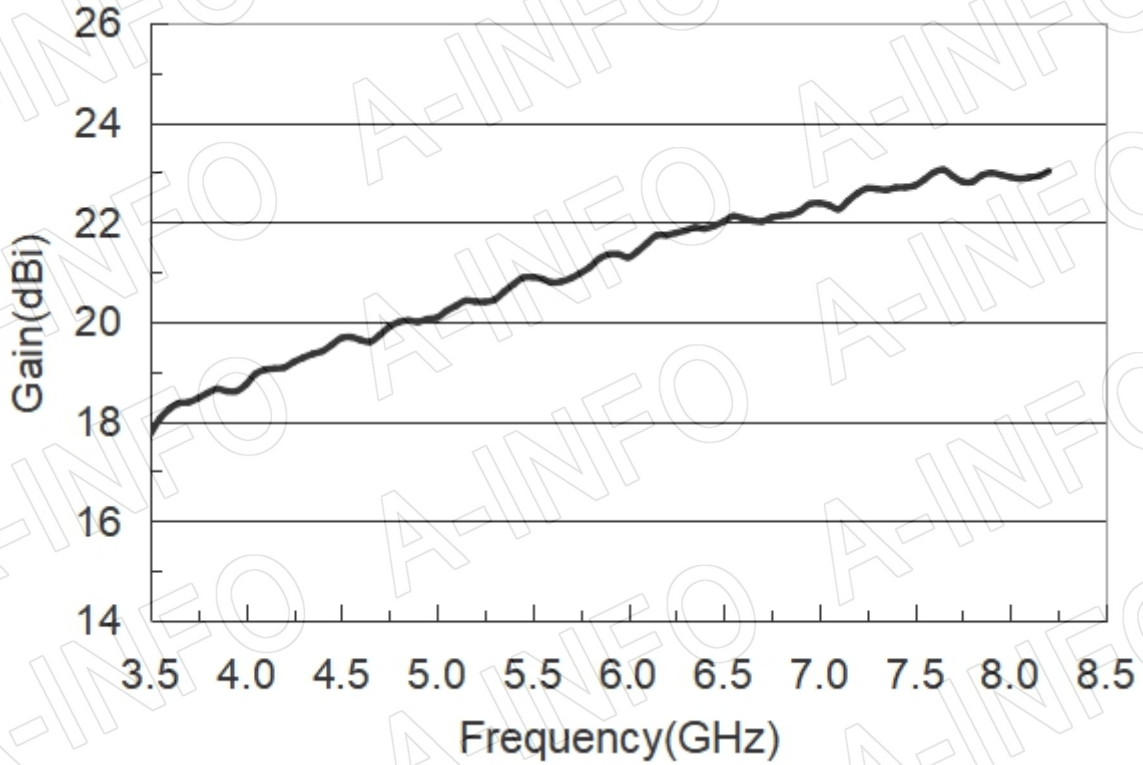
FPWRD350D24

(With four through mounting holes
and four screws holes)

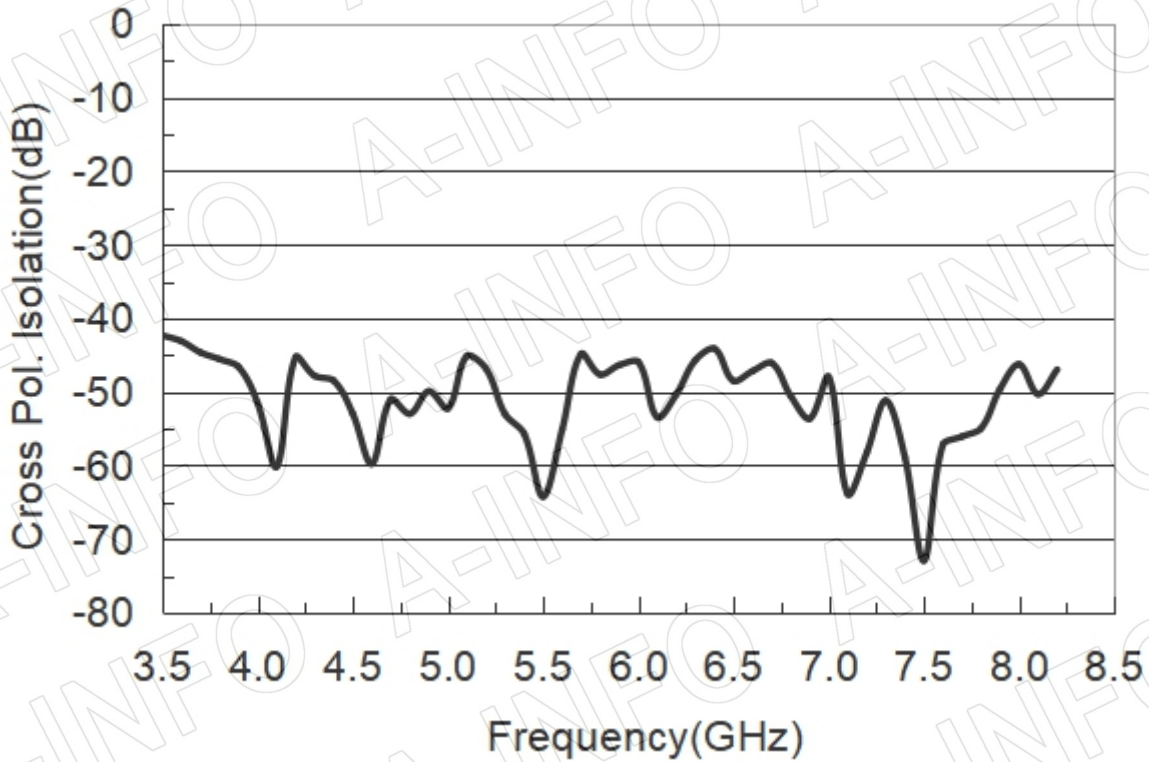


Test Results

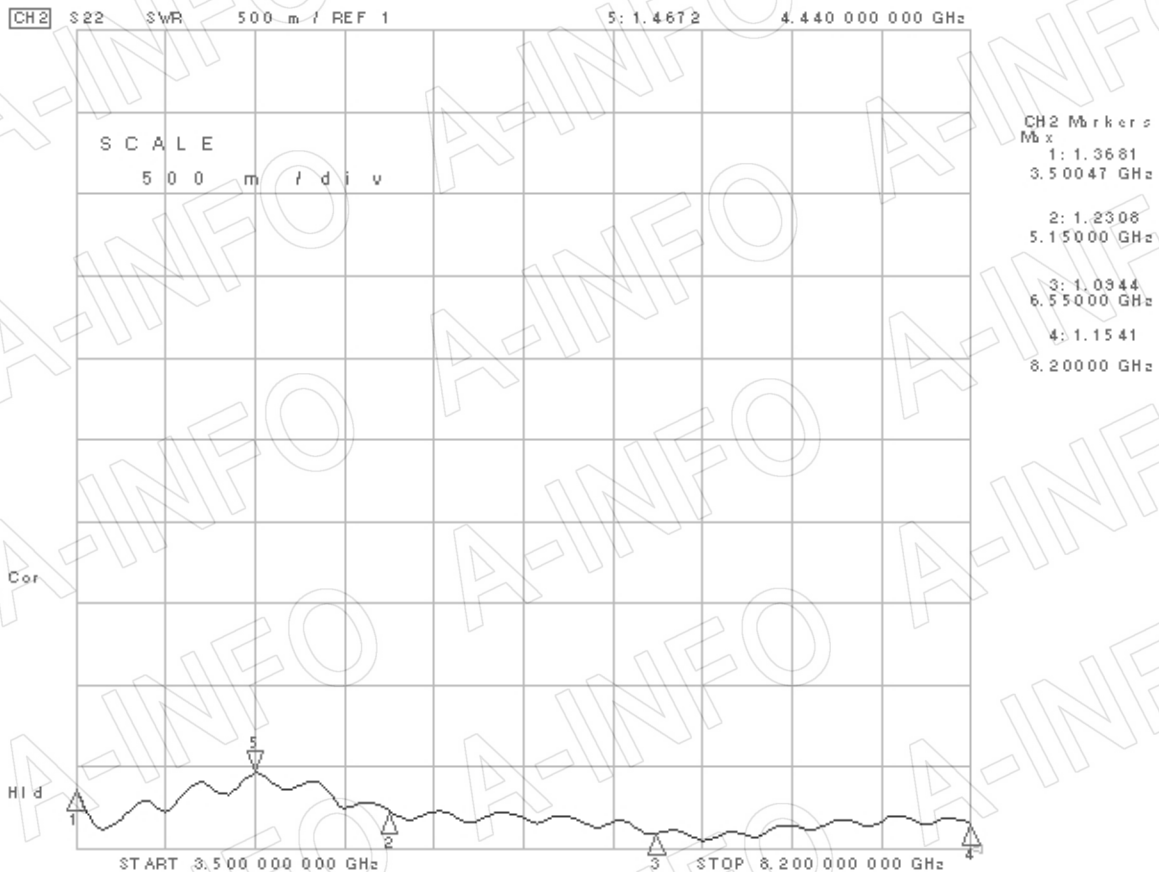
1. Gain & Antenna Factor



2. Cross Polarization Isolation



3. VSWR



4. Pattern

